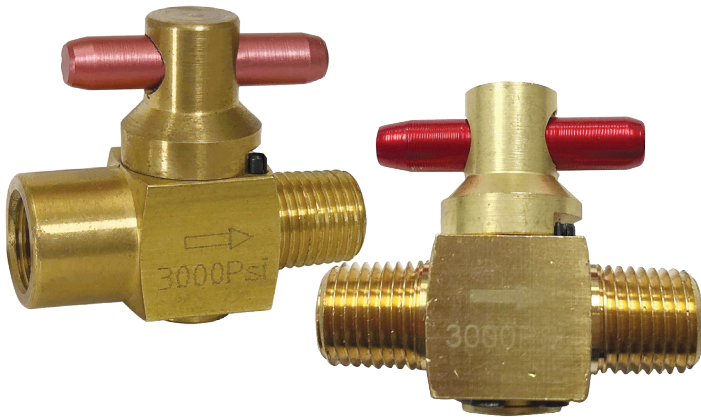




# T-VALVE SERIES PLUG VALVE


UP TO 3,000 PSIG PRESSURE RATING



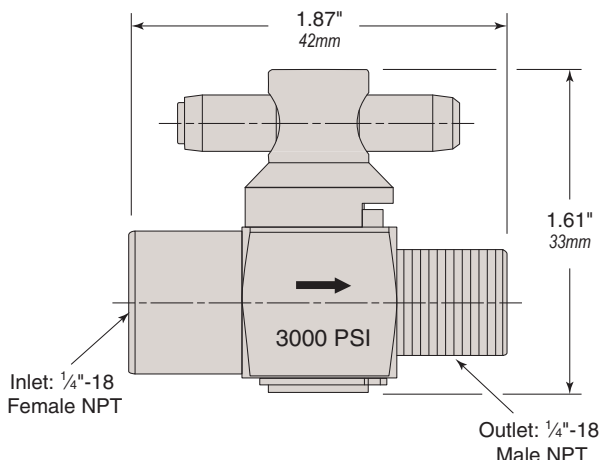
- Compact Size, Quarter Turn Valve
- Leakproof in Vacuum or Pressure Service
- Operating Temperatures: -40°F to 300°
- Shut-Off or Course Regulation Valve
- Positive Position indication & Handle Stop
- Bleed Hole in the Plug Vents the Trapped Fluids
- No Packing to Adjust, O-Ring Seal to Atmosphere
- Rugged Anodized Handle

## Typical Applications Include:

- Specialized for Hydraulic, Petroleum, and Chemical Plant Applications
- Commercial and General Industrial Applications
- Compressed Air Service

Female x Male	T-Valve Part No.	NPT FxM	Description
	B-7500-2	1/4"-18	Female x Male Quarter-Turn Valve Brass with EPDM Seal

Male x Male	T-Valve Part No.	NPT MxM	Description
	B-7500-2MXMV	1/4"-18	Male x Male Quarter-Turn Valve Brass with Viton Seal



**Part Number:** B-7500-2  
**Inlet:** 1/4"-18 Female NPT  
**Outlet:** 1/4"-18 Male NPT  
**Body Material:** Brass  
**Seat Material:** EPDM  
**Rated Pressure:** 3,000 PSIG  
**Flow:** 5 GPM (water at 100psig)  
**Temperature:** -40° to +300°F

